

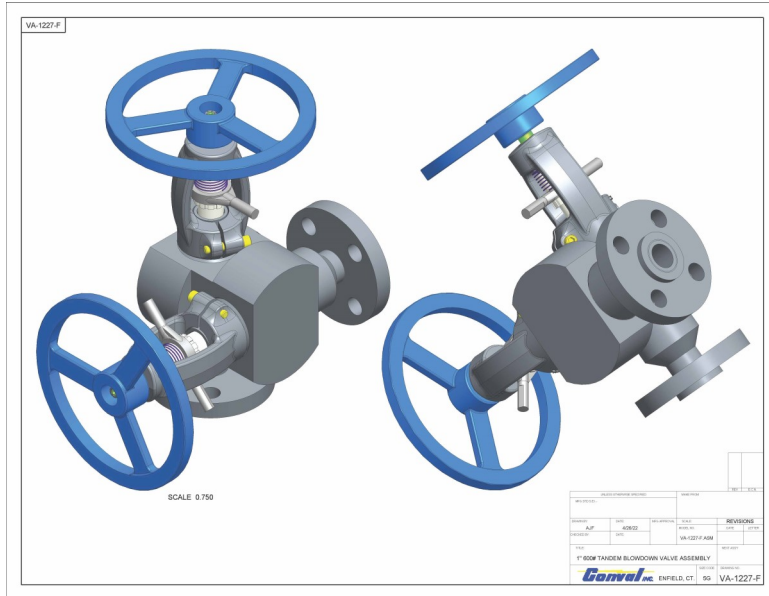
Gonval INC.

High-performance severe service valves
for the world's most demanding applications

Introducing Clampseal® Unit Tandem Blowdown Valves



Conval Clampseal® Unit Tandem Blowdown Valves provide necessary control for boiler blowdown and bottom blow-off service.



STANDARD SIZES

1", 1-1/2", 2" and 2-1/2"

PRESSURE RATINGS

ASME/ANSI Class 300 through 2500

STANDARD MATERIALS

Carbon Steel (ASME SA-105) or Alloy Steel (F22)
Other materials available upon request.

END CONNECTIONS

SW, BW or Flanged

BODY CONFIGURATIONS

Right-hand or left-hand
Hard Seat X Hard Seat

- Effectively control the flow of steam/fluid under high differential pressure.
- Functions to remove sediment, scale and other boiler internal contaminants.

DESIGN FEATURES

In-line Serviceability

Conval unit tandem blowdown valves are easy to maintain and fully serviceable in-line using standard Conval tools. You can also use existing inventoried Conval components such as yoke and trim.

Uniform Single-piece Gland, Integral Gland Wrench

Proven, corrosion-resistant, high-density graphite packing is loaded uniformly with a one-piece gland. This eliminates the potential for stem damage or packing leaks from gland cocking.

Cartridge-type Packing Chamber

With pressure-assisted bonnet seal, the chamber allows rapid access to valve trim for inspection and maintenance. Pressure boundary is sealed at the smallest diameter possible, to ensure maximum strength and low stress.

Pressure Seal Backseat

The pressure seal backseat provides maximum valve integrity by ensuring a positive internal guide for the valve stem and disc assembly. It also securely isolates packing from line pressure when valve is fully open, to increase packing life.

Exceptional Total Life Cycle Value

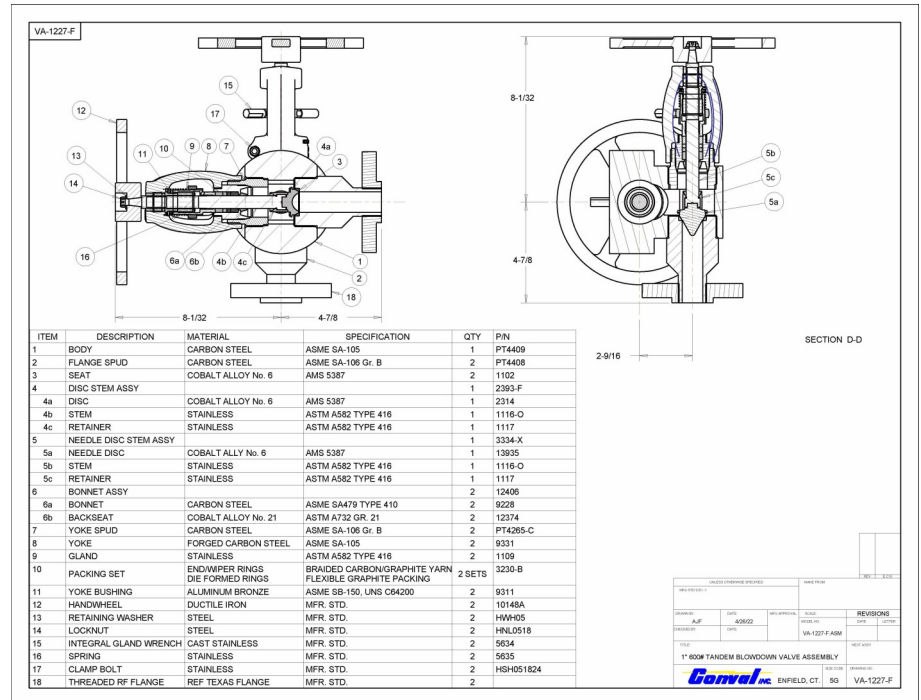
Conval unit tandem blowdown units provide reliable, repeatable, tight shut-off for long periods of time in severe environments.

Simple Drop-in Replacement for many other valve brands

This saves engineering and MRO staff time and expense.

Wide Range of Configurations and Options

Available in right/left hand operation, various connections, pressure classes and materials. Please consult the factory to discuss your specific application requirements.



World Headquarters: 96 Phoenix Avenue, Enfield, CT 06082 USA

Phone (860) 749-0761 Fax (860) 763-3557 Email sales@Conval.com Web www.Conval.com

Form TandemBlowdown8-22-KIT
Printed in USA